



Product Catalogue

(Industrial)

Engineering Solutions in Industrial & Garage Automation



Pallet Truck



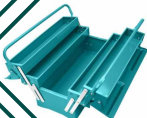
Chip Trolley



Motorized Conveyors



EOT System



Tool Box



Heavy Duty Industrial Tool Trolley



Motorised Jib Crane



Hydraulic Scissor Lift



Electrical Enclosures



CNC Tool Trolley



Profile Work Station

THE STEEL CRAFT

AN ISO 9001-2015 CERTIFIED CO.

Manufacturers - Importers - Exporters - Distributors

www.thesteelcraft.com



Late S. Pritam Singh
Founder

About Us

It is with immense pleasure that we introduce ourselves as The Steel Craft (a unit of Jaskaran Engineers) based in Jalandhar, Punjab. A leading manufacturer of sheet metal fabrication jobs and a solution provider for Industrial and Garage Equipments. At The Steel Craft, we take pride in our comprehensive in-house facilities, cutting-edge technology, and commitment to delivering superior quality products to our valued clients.

We are an ISO 9001:2015 certified company, we adhere to stringent quality control procedures, utilizing only the highest-grade raw materials to manufacture our products. Our product range spans various categories including Tool Trolleys and Tool Cabinets, CNC Tool Trolleys, Industrial Almira's and Cabinets, Jigs and Fixtures, EOT and Jib cranes, all types of Conveyor Systems, Workstations (MS and Aluminium), Industrial Workbenches, Hydraulic & Pneumatic Scissors Lifts, Hydraulic Pallet Trucks, Electric Stackers, Hydraulic Presses, Electrical Enclosures, Modular Pallet Racking Systems, Modular Pipe Racking Systems, Drum Lifters & Material Handling Equipments, Chip Conveyors, Hose Reels for (Air/Oil/Grease/Water) and SPMs. We are equipped with the latest modern machinery in our plant: -

- CNC Laser Cutting
- CNC Sheet Bending
- In house Powder Coating Unit
- Tool Room Facility
- CNC & VMC Machines
- Milling Machine
- Lathe Machine
- Surface grinders
- Laser/Mig/Arc/Spot/Tig welding

Additionally, we boast a variety of Power Presses, high-precision quality Hand/Electric/Pneumatic Tools, and Testing equipment to ensure the highest standards of quality and accuracy in our end products.

Our team of experienced with CAD/CAM and AutoCAD Designers & Engineers constantly innovate, design, and create new, high-density filing and storage systems, ensuring optimal utilization of available space and cost-effective solutions for our clients. We prioritize superior quality and international standards at every stage of production, from procuring raw materials to final delivery.

With fully equipped departments and advanced technology, we meet the increasing demands of various industries and ensure timely delivery of the highest quality products. Whether it's sheet metal fabrication for MS, SS, Brass, and Aluminium alloys or providing comprehensive assembly solutions for components, we offer a one-stop solution for all your industrial needs.

We at The Steel Craft look forward to the opportunity of partnering with you to provide exceptional sheet metal fabrication and industrial solutions. Please feel free to contact us at info@thesteelcraft.com to discuss how we can collaborate for mutual success.



Our Vision :

To emerge as one of the leading and trustworthy suppliers for industrial automation products and complete engineering solutions under one roof.

Our Mission :

At The Steel Craft, we have a mission to provide and innovate every advance and optimum efficient technology at the reach to all our customers.

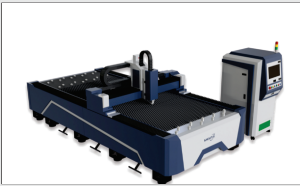
Our Quality :

The Steel Craft has a vision to become world class manufactures of Garage & Industrial Equipments.

We shall strive for ...

- Production of world class Garage & Industrial equipment with quality and reliability.
- Customer satisfaction through excellence in Service and timely deliveries.
- Creating a process based culture management throughout the organization.
- Establish culture of total quality concept and continual improvement.
- Constant upgrading of technology & human Excellency.

PLANT & MACHINERY



LIST OF MACHINERY

CNC Laser Cutting Machine 3Kw

Powder Coating Plant

CNC Brake Press 150 Ton

CNC Turning & VMC

Hydraulic Sheet Bending Machine 100 Ton

Milling Machine

Mechanical Press

Laser Welding Machine

Mig Welding and Arc Welding

Spot Welding and Tig Welding

Medium & Large Drill Machines

Tool Room

Latest Pneumatic & Electric Tools

Air Compressor with Air Dryer

Latest Electronic Testing & Manufacturing Facility

Surface Grinder

CAD-CAM & Autocad Facility

TOOL TROLLEYS

5 Drawer Tool Trolley Model: TSC-TT-5D-513



- ★ Material : Mild Steel
- ★ Dimension : Size: W-630 x D-400 x H-800
- ★ No. of Drawer: 5 nos.
- ★ Wheel: Dia 75mm x 30mm Width, 2 Swivel & 2 Swivel with Brake.
- ★ Lock: Central Locking mechanism.
- ★ Finish: Powder Coating (Red, Blue, Yellow, Green, Grey & Black)
- ★ Fine Rubber sheet at top of the trolley

Tool Trolley Model : TSC-TT-5D-519



- ★ Material: Mild Steel
- ★ Dimension: Size: W-630 x D-400 x H-800
- ★ No. of Drawer: 5 nos.
- ★ Wheel: Dia 75mm x 30mmW, 2 Swivel, 2 Swivel with Brake.
- ★ Lock: Central Locking mechanism for lower drawers.
- ★ Finish: Powder Coating (Red, Blue, Yellow, Green, Grey & Black)
- ★ Fine Rubber sheet at top of the trolley

3 Drawer Tools Trolley Model: TSC-TT-506



- ★ Material: Mild Steel
- ★ Dimension: W:630 x D:400mm x H:920
- ★ No. of Drawer: 3
- ★ No. of Shelf: 1 & one Compartment foldable door.
- ★ Wheel: Dia 75mm x 30mm Width, 2 Swivel, 2 Swivel with Brake.
- ★ Finish: Powder Coating (Red, Blue, Yellow, Green, Grey & Black)
- ★ Fine Rubber sheet at top of the trolley

Tool Trolley Model: TSC-TT-7D-520



- ★ Material: Mild Steel
- ★ Dimension: Size: W-660 x D-425 x H-925
- ★ No. of Drawer: 7 nos.
- ★ Wheel: Dia 75mm x 30mmW, 2 Swivel, 2 Swivel with Brake.
- ★ Lock: Central Locking mechanism for lower drawers.
- ★ Finish: Powder Coating (Red, Blue, Yellow, Green, Grey & Black)
- ★ Fine Rubber sheet at top of the trolley

6 Drawer Tools Trolley Model : TSC-TT-KTM-518



- ★ Material: Mild Steel
- ★ Dimension: W:630 x D:400 x H:920 mm
- ★ No. of Drawer: 6
- ★ Lock: Central Locking System
- ★ Wheel: Dia 75mm x 30mm Width, 2 Swivel, 2 Swivel with Brake.
- ★ Finish: Powder Coating (Red, Blue, Yellow, Green, Grey & Black)
- ★ Fine Rubber sheet at top of the trolley

Shelf Trolley Model : TSC-ST-521



- ★ Material : Mild Steel
- ★ Dimension: 425 D x 650 W x 850 H
- ★ No. of Shelves: 3 Shelves each with
- ★ Load Capacity: Max. 40 kg load
- ★ Wheel: Four (2 Castor, 2 With Brakes)
- ★ Finish: Permanent powder paint resistant and durable.

TOOL TROLLEYS

CNC Tool Holder Trolley SQ Type BT 40 TSC CNC-BT-40



- ★ Material: Mild Steel
- ★ Dimension: W 675 x D 490 x H 980
- ★ No. of Levels: 5 nos. (1 no. either side + 3 nos. top)
- ★ One side handle
- ★ Wheel: Dia 125 x 40W, 2 Fix + 1 Swivel + 1 Swivel with Brake.
- ★ Finish: Powder Coating
- ★ (Structure - RAL 9001, Handle & Pocket -RAL 3000)

Heavy Duty Industrial Tool Trolley Model : TSC-HDT-6D-522



- ★ Material: Mild Steel
- ★ Dimension: W1125 x D 600 x H 1000
- ★ No. of Drawer: 6 nos. All drawers have Full Pull-out (100% open)
- ★ Lock: Having central locking system with lock & keys
- ★ Load Capacity: Max. 100 kg UDL each drawer
- ★ Finish: Powder Coating (Red, Blue, Yellow, Green, Grey & Black)

CNC Tool Holder Cart Trolley Model : TSC-CNC-BT50



- ★ Material: Mild Steel
- ★ No. of Levels: 3 nos. (3 no. Each side + on top Tray)
- ★ Wheel: Dia 125 x 40W, 2 Fix + 1 Swivel + 1 Swivel with Brake.
- ★ Finish: Powder Coating (Red, Blue, Yellow, Green, Grey & Black)

Cabinet Trolley Model : TSC-CAB-516



- ★ Material: Mild Steel
- ★ Dimension: Customised
- ★ No. of Shelf: 2 With openable doors.
- ★ Wheel: Dia 75mm x 30mm Width, 2 Swivel, 2 Swivel with Brake.
- ★ Finish: Powder Coating (Red, Blue, Yellow, Green, Grey & Black)
- ★ Fine Rubber sheet at top of the trolley

5 Compartment Tool Box Model : TSC-TB-5C-01



- ★ Material: Mild Steel
- ★ Dimension: H:215, W:450, D:200mm
- ★ No. of Compartment:5
- ★ Finish: Powder Coating (Red, Blue, Yellow, Green, Grey & Black)

MS Chip Trolley Model : TSC-CT-01



- ★ Material: Mild Steel
- ★ Capacity: 400 Kg
- ★ No. of Wheels: 4 Wheels (2 Nos. Swivel & 2 Fixed)
- ★ Wheel Size: 4"X2"
- ★ Overall Size of Base frame: L760XW600mm
- ★ Finish: Powder Coating (Red, Blue, Yellow, Green, Grey & Black)

CRANE SYSTEMS



360° rotation motorised
Pillar Mounted
Jib Crane Capacity Upto 5 Ton



EOT System
Capacity 0.5 to 20 Ton



180/220 Degree Rotation
Jib Crane Upto 5 Ton



Floor Mounted
Manipulator



Pillar Jib Crane



Pillar Jib Crane



Wall Mounted Jib Crane



EOT



Wall Traveling Crane



A-Frame Cranes

www.thesteelcraft.com

Products as shown above are only a selection of our extensive range
Please contact The Steel Craft for product developments as per your Specifications

HYDRAULIC PRESS, JIB CRANE & MATERIAL HANDLING PRODUCTS



Hydraulic Press
Capacity Upto 50 Ton



Hydraulic Jib Crane
1 Ton Capacity



Double gas Cylinder Trolley



Drum Trolley



220 Ltr. Drum Trolley



Hand Truck

CONVEYORS



Roller Conveyor



Belt Conveyor



Flat Belt Conveyor



Motorised Aluminum
Profile Conveyor



Flat Belt Conveyor Chain Driven live
Roller Conveyor



Flat Belt Conveyor

www.thesteelcraft.com

Products as shown above are only a selection of our extensive range
Please contact The Steel Craft for product developments as per your Specifications

OFFICE CABINET & INDUSTRIAL ALMIRAH



Industrial Almirah



Industrial Almirah

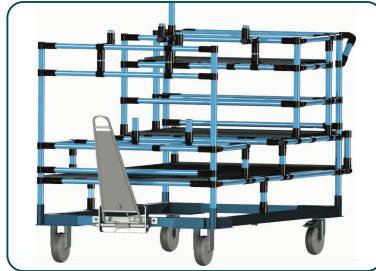


Office Cabinet



Office Cabinet

MODULAR PIPE RACKING SYSTEM & PROFILE TABLE



STORAGE RACKING SYSTEM



www.thesteelcraft.com

Products as shown above are only a selection of our extensive range
Please contact The Steel Craft for product developments as per your Specifications

PALLET, STACKERS & LIFTS



Hydraulic Hand Pallet Truck
2 Ton to 5 Ton



Stainless Steel Pallet Truck
2 Ton to 5 Ton



Pallet Truck Digital Scale
upto 3000 Kg



Hydraulic
Hand Stacker



Semi Electric Stacker
Upto 1000 Kg



Scissor Lift Table Elec.
Series Upto 500 Kg



Stacker cum tilter
Capacity 350 Kg



Scissor Lift



Platform Head Trolley
200 Kg Capacity



Trolley Scissor Lift



Single Mast Aerial
Work Platform 125 Kg



Portable
Hydraulic Scissor Lift
Roller type

DIESEL, GEAR, ENGINE OIL DISPENSING SYSTEM



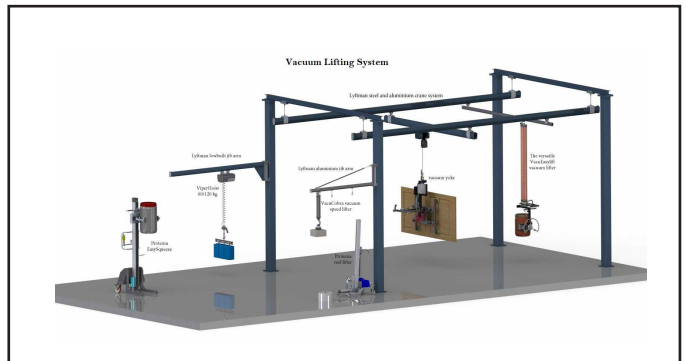
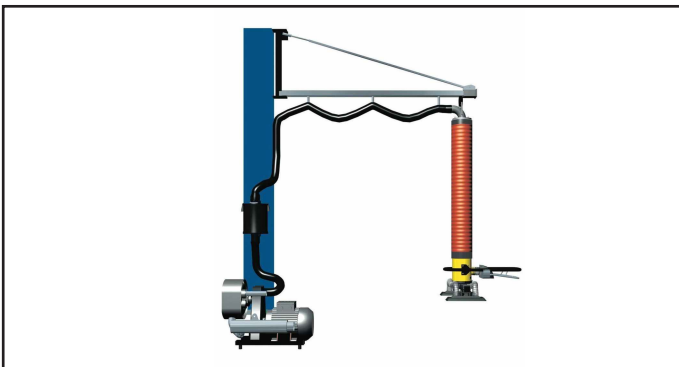
- ★ PLC & HMI Based
- ★ Micro Controller Based
- ★ Mini PLC Based
- ★ Manual Dispenser
- ★ Oil dispensing machine for various oils Diesel, Axle, Gear, Transmission, Hydraulic, Steering, Coolant Etc.
- ★ Micro Controller Based, PLC & HMI Based Mini PLC Based and Manual Type of Dispensing Machines
- ★ Flow Starting form 0.5L to 70L depending upon the type of machine
- ★ Accuracy: 1%, 2% depending upon the type of machine
- ★ Diaphragm, pump, piston pump and gear pump-based machines
- ★ Manual Dripples, Electropneumatic Dripless Dispensing Gun

MOBILE COMPACTOR

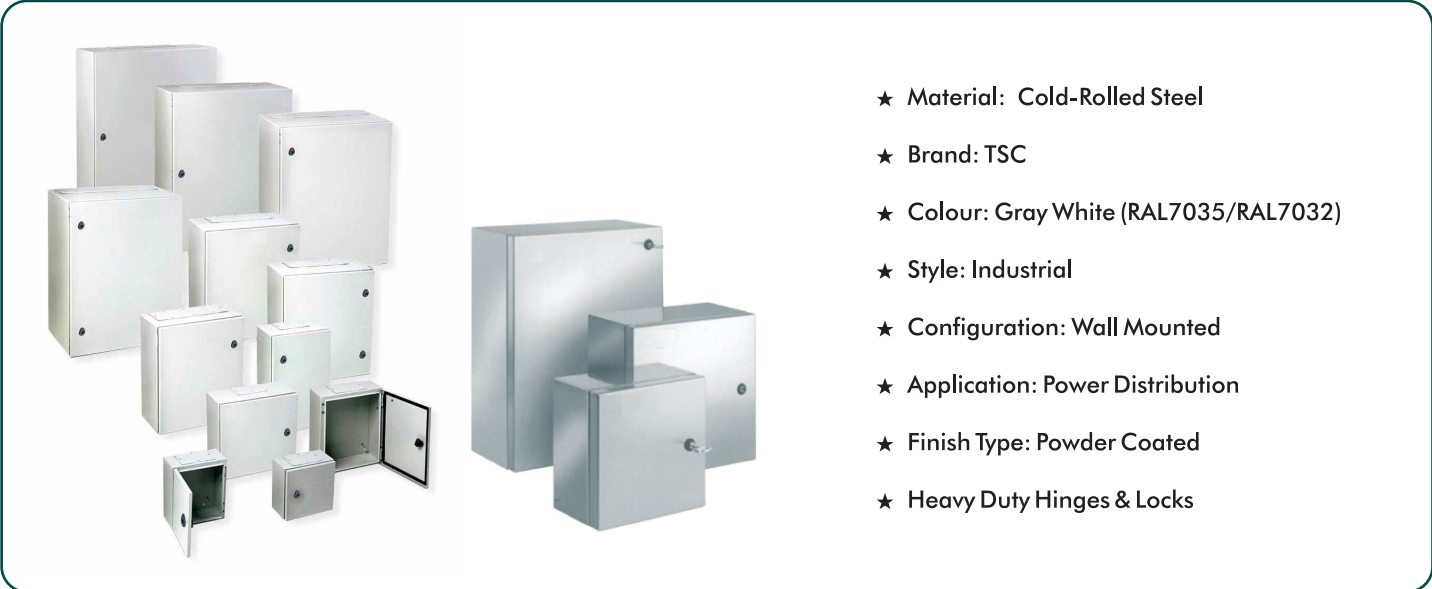


- ★ Mobile compactor Storage Systems are designed in high quality. These high storage capacity racks are available in two types: Manual (Hand Push type), Mechanically operated (chain driven) system.
- ★ The choice depends on the requirements and space available at customer premises. Our rail mounted racks are suitable for all kinds of storage requirements. Being a quality-oriented firm, we provide best quality products with sales after service. With our vast experience in this field, we are expert solution provider in all kind of storage products.

VACUUM LIFTING SYSTEM



ELECTRICAL ENCLOSURES BOXES



- ★ Material: Cold-Rolled Steel
- ★ Brand: TSC
- ★ Colour: Gray White (RAL7035/RAL7032)
- ★ Style: Industrial
- ★ Configuration: Wall Mounted
- ★ Application: Power Distribution
- ★ Finish Type: Powder Coated
- ★ Heavy Duty Hinges & Locks

PICK BINS & SHELF RACK



Single Sided Stand with Pick Bins

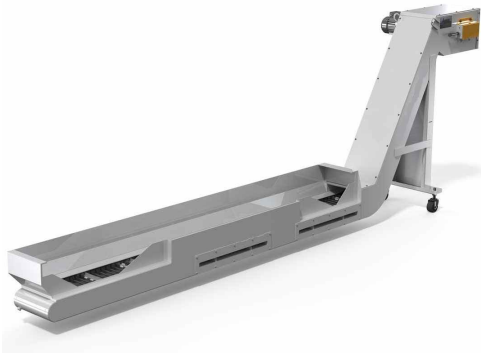


Pick Bins Stand



Shelf Rack





CHIP CONVEYORS





THE STEEL CRAFT

AN ISO 9001-2015 CERTIFIED CO.

-  H.o.: Plot No. 1, Ram Bagh Colony, B/s Transport Nagar,
Opposite Gaushalla, Jalandhar, Punjab-144012 (INDIA)
-  +91-181-2601072, 2991072, (M) 98886-98142, 98146-14983
-  info@thesteelcraft.com, jaskaransingh@thesteelcraft.com
-  www.thesteelcraft.com, www.jrenterprises.in
-  <https://www.facebook.com/thesteelcraftjal>
-  <https://www.instagram.com/thesteelcraftjal>
-  <https://www.youtube.com/@thesteelcraftjal>



- Ludhiana : 98144-56983
- HP/Chandigarh : 81958-00183
- Amritsar : 98149-72193
- Delhi/NCR : 97819-99183

Authorised dealer: -